

MultiCom



The TELETUBE **MultiCom** system is a pneumatic transport system with multiple stations for sending and receiving.

In this single-tube bi-directional system the stations are connected together either serially or by the use of diverters. Doing so, any network from simple to extremely complex can be realised to create total intercommunication.



Multiple (sub-)networks are connected together by means of transfer systems.

MultiCom uses automatic stations featuring preload and automatic ejection. The stations are equipped with audio-visual (remote) arrival signal devices.

Empty carrier redistribution is managed automatically by the system.



There are special high-capacity sending stations with 12 carrier preload capacity, with keyboard or RFID tag control.

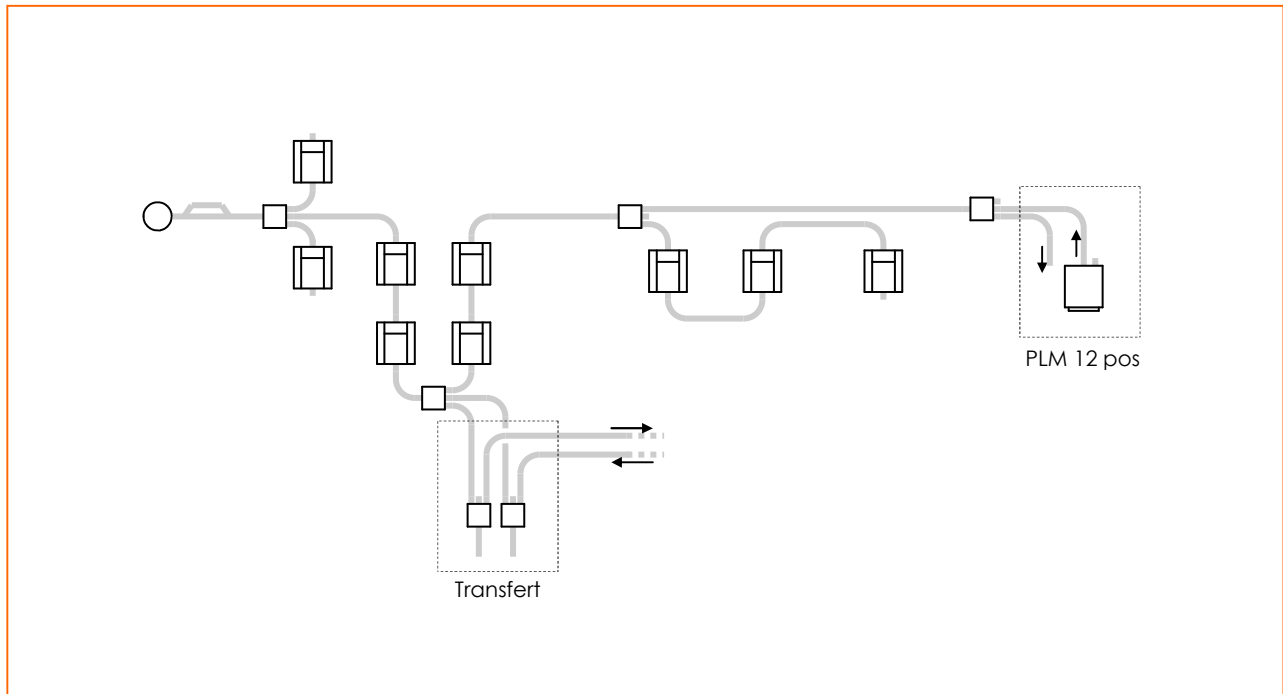
EMC-resistant electronics and the use of an industry standard RS-485 communication bus guarantee a high system-reliability.

Supervision- and technical maintenance are PC-based.



The **MultiCom** pneumatic system can be perfectly adapted to your needs and wishes.

MultiCom



- Automatic system for total intercommunication
- Extremely flexible system configuration
- Fully automated stations with preload and eject
- Control panel at each station with keyboard, LCD screen and LED indicators
- LOCK and FOLLOW-ME functions at each station
- Programmable MEMORY-keys at each station for programming single-stroke address entry
- Multiple audio-visual arrival signals at each station
- Stations can be loaded at any time, even during a sending
- Carriers are available in different sizes and colors in 110mm diameter
- Anti-condensation configuration of the system for inside/outside tubing
- Transfert systems to connect different sub-networks
- PC-based supervision and maintenance
- High-capacity sending station with 12 carrier preload, keyboard and/or RFID



TELETUBE Department
Rue des Technologies 22
1340 OTTIGNIES
Belgium

T: +32 10 62 23 62
F: +32 10 61 65 40

teletube@cpbourg.com

www.teletube.be